

# 内容详见2页

说明：  
 \* V3,删掉底鼓踩擦描述  
 \* 风琴折  
 \* 尺寸：612(L)x285(W)mm  
 \* 材料：80g书写纸，单面印刷  
 \* 颜色及其它详见电子文档  
 \* 请送样

作废	_____
作废	_____
作废	_____
作废	_____
作废	_____

日期	20-04-30	名称	美国KAT KT-200贴DM-4S快速安装指南V3		料号	09601-14037-00112		版本	V3
设计	郑敬轩	文件名	美国KAT KT-200贴DM-4S快速安装指南V3.cdr		光盘号	_____		材料	80g书写纸
内容审核		视角	_____	单位	毫米(mm)	颜色		图号	
标准化		 深圳市耐科电子科技有限公司 CHERUB TECHNOLOGY COMPANY LIMITED				尺寸公差	±1.5mm	密级	普通
批准						第(1)页/共(2)页			

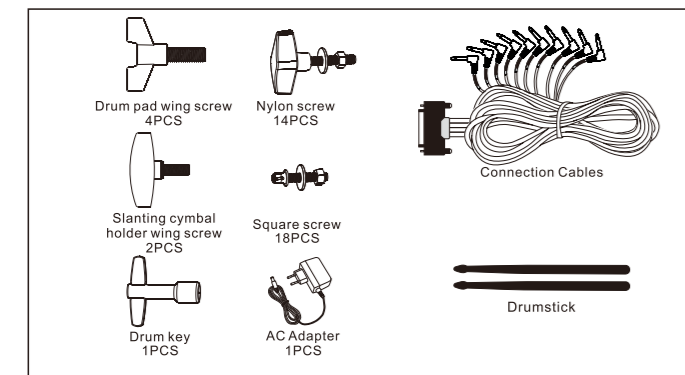
# Assembly Instructions

## Caution

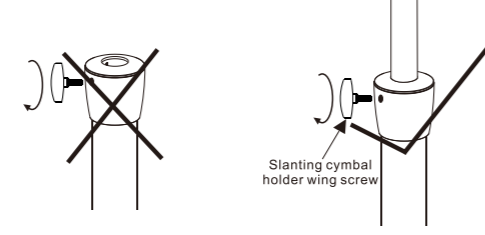
- Be careful with the sharp ends, buckles when try to assemble the products. Try not to be injured.
- Please follow the instructions in this manual, and confirm that all the items are installed in the right place.

## Inside This Package

Item	Quantity	Picture	Note	Item	Quantity	Picture	Note
12" Cymbal Pad	3		Each 12" Cymbal pad can be used interchangeably	Straight cymbal holder	2		Can be used interchangeably
14" Cymbal Pad	1			Slanting cymbal holder	2		Can be used interchangeably
9" Drum Pad	3		Each drum pad can be used interchangeably	L-Rods of Drum pad	3		Can be used interchangeably
11" Drum Pad	1		Head Snare Drum Pad	L-Rods of Snare Drum pad	1		Snare Drum spare parts
Kick Pad	1			Front pillar	2		 Front pillar Back pillar Canter pipe Side arm 11" Drum pad holder
				Back pillar	2		
Canter pipe	2						
Side arm	2						
Hi-Hat Control Pedal	1			11" Drum pad holder	1		
Drum Module	1			Big joint	9		Can be used interchangeably
				Small joint	6		Can be used interchangeably
				Snare Drum joint	1		Snare Drum spare parts

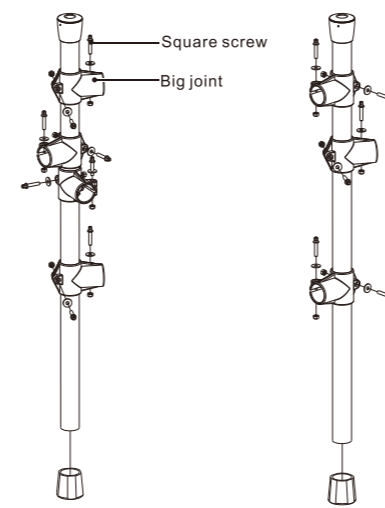


**Note:** Don't tighten the wing screw on the upper joint of the back pillar before inserting slanting cymbal holder. It may cause the joint broken.

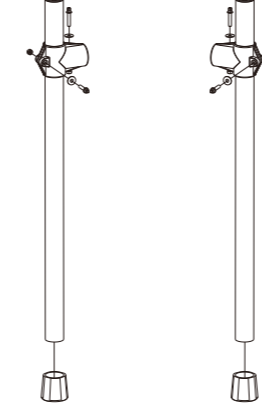


## Assembly

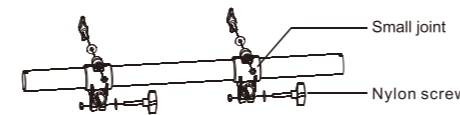
1. Attach the big joint to the back pillar as shown.



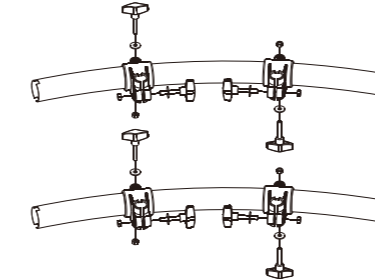
4. Attach big joint to the front pillar as shown.



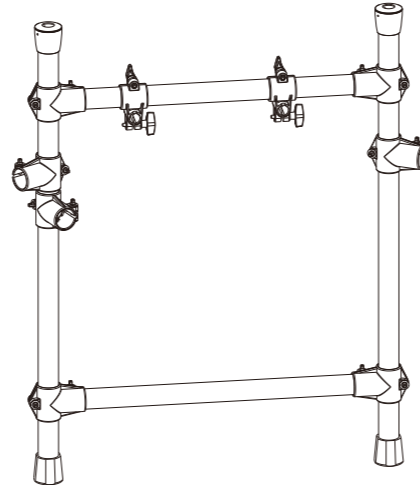
2. Attach the small joint to any center pipe as shown.



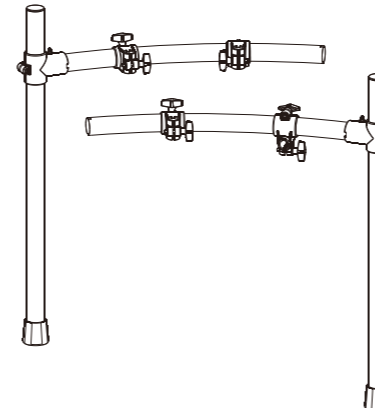
5. Attach small joint to two side arms as shown.



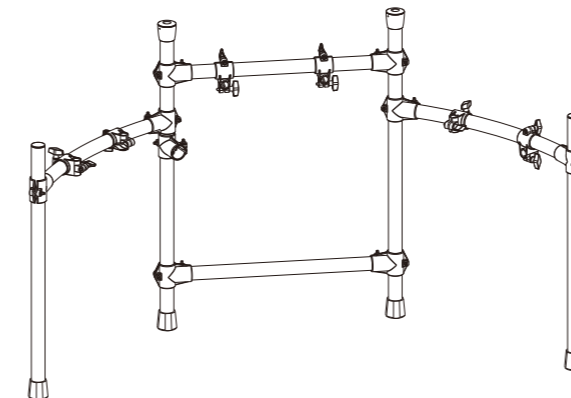
3. Connect back pillar and center pipe.



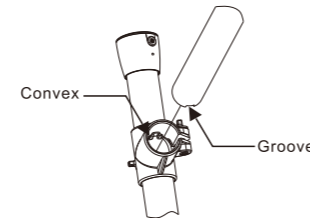
6. Connect the front pillar and side arm. Please confirm that the side arm is locked in the clamp of big joint.



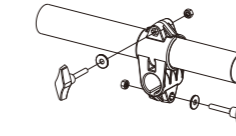
7. Connect the front pillars and the back pillars.



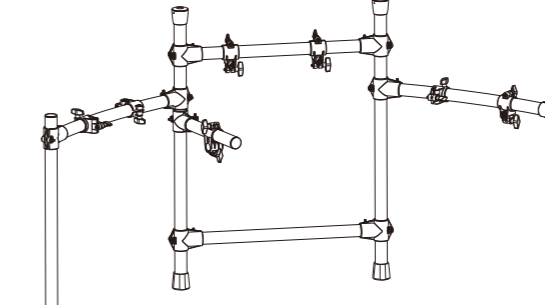
**Note:** When connect the back pillar and center pipe, please lock the center pipe in the clamp of the big joint to prevent the center pipe rotates.



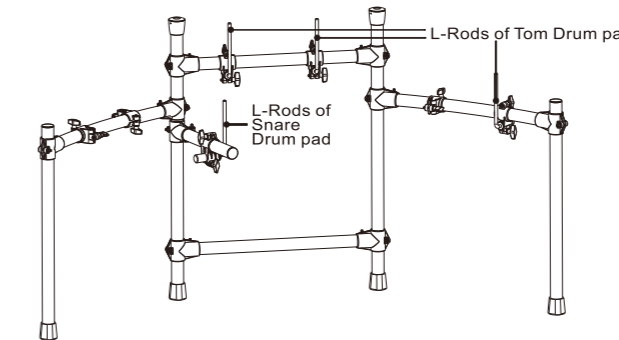
8. Attach the small snare drum joint to the 11" drum pad holder.



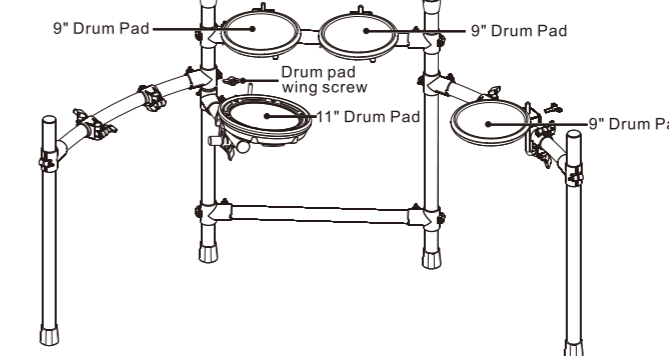
9. Attach the 11" drum pad holder to the drum stands. Please confirm that the side arm is locked in the clamp of big joint.



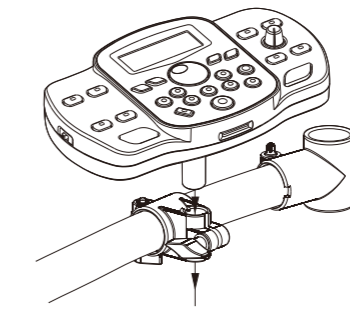
10. Assemble L-Rods of drum pads as shown.



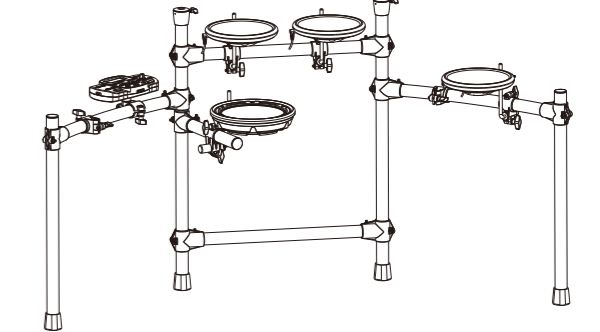
11. Assemble drum pads as shown.



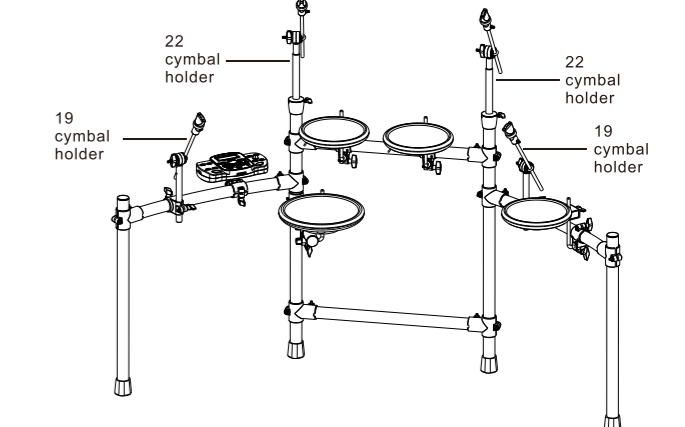
12. Assemble drum module.



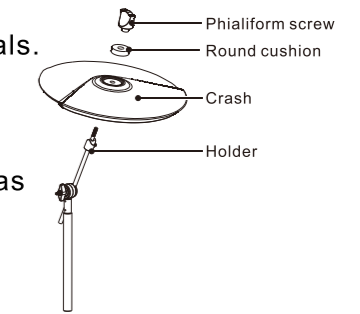
13. Attach drum module to the drum stands.



14. Attach straight cymbal holders and slanting cymbal holders to the drum holder.



15. Assemble cymbals.



**Note:** Assemble sequence as right picture

16. Attach kick trigger to kick pad. Place the trigger on the floor on your right side, and place the Hi-Hat control pedal on your left side. Please connect the clearly marked cables from the pads to the correct inputs on the drum module, and you are ready to play.

